

GRMT



Features

- TC Junction can be centered in hot melt stream
- Retractable from flush to 2.5"
- Up to 900°F melt temperatures
- All stainless steel construction
- Exposed junction
- 1/2-20 UNF mounting configuration

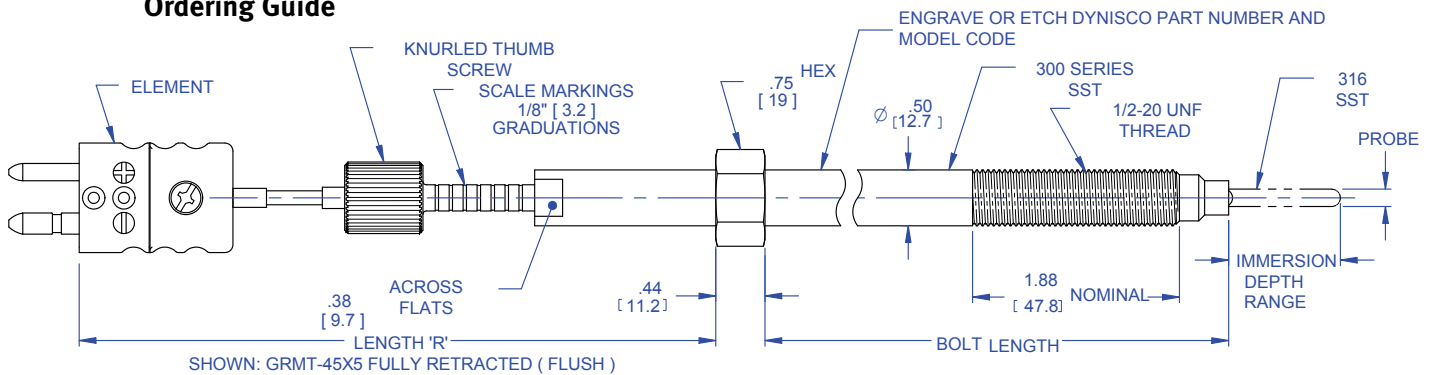
Benefits

- Obtains temperature profiles without stopping the process
- Eliminates probe breakage at start up.
- Designed for extrusion applications
- Corrosion/abrasion resistant
- Enables faster response
- Directly replaces any standard melt thermocouple

Description

The Graduated Retractable Melt Thermocouple (GRMT) is used to measure temperatures inside the polymer melt stream. The depth of immersion of the junction into the hot melt stream can be varied from zero to mid-stream during maximum flow and pressure conditions, without removing the sensor from the adaptor. Using the graduations on the stem of the temperature sensor allows the user to choose and monitor the specific depth at which the junction is in the melt stream.

Ordering Guide



DESCRIPTION	MODEL CODE										
	MODEL	IMMERSION DEPTH		SENSOR		PROBE		BOLT		ELEMENT	
		CODE	RANGE	CODE	TYPE	CODE	OUTSIDE DIA	CODE	LENGTH	CODE	STYLE
GRADUATED RETRACTABLE MELT THERMOCOUPLE (1/8" GRAD)	GRMT	45	FLUSH TO 1" [0 - 25.4]	2	J T/C (STD)	5	5/32" [3.96]	0 3	3" [76.2]	S	SINGLE T/C (STD)
				4	K T/C			0 5	5" [127]	D	DUAL T/C
				5	E T/C			0 6	6" [152.4]	U1	2 WIRE RTD
		47	FLUSH TO 2.5" [0 - 63.5]	9	RTD SPECIFY TYPE			0 9	9" [228.6]	U2	3 WIRE RTD
								1 2	12" [304.8]	U4	4 WIRE CLASS A RTD
										DU1	DUAL 2 WIRE RTD
								DU2	DUAL 3 WIRE RTD		

LENGTH 'R'

- MODEL: GRMT-45X5 ('R' WHEN FLUSH = 5.69 [145]
'R' @ 1" MAX IMMERSION = 4.69 [119])
- MODEL: GRMT-47X5 ('R' WHEN FLUSH = 7.19 [183]
'R' @ 2.5" MAX IMMERSION = 4.69 [119])

All dimensions are inches (mm).