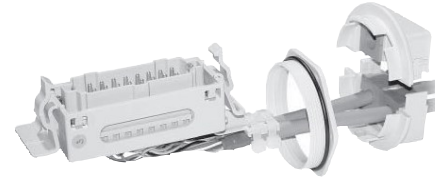
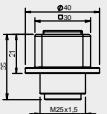
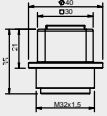
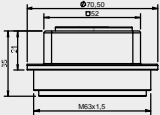
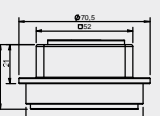
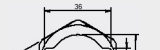





KVT
Split cable glands



Description	Type	Order No.	Inserts KT small large	Thread Thread length	PU
-------------	------	-----------	--------------------------	----------------------	----

	KVT 25*	45201	1 -	M25 x 1.5 Length: 14 mm	10
	KVT 32	45202	1 -	M32 x 1.5 Length: 14 mm	10
	KVT 63 4**	45214	4 -	M63 x 1.5 Length: 14 mm	5
	KVT 63 1**	45211	- 1	M63 x 1.5 Length: 14 mm	5
	KGM SUB-D9	45105	PC, grey	M32 x 1.5	10
	KGM 25	52274	PA, grey	M25 x 1.5	10
	KGM 32	52275	PA, grey	M32 x 1.5	10
	KGM 63	52278	PA, grey	M63 x 1.5	5

Product description

KVT is a circular split frame for quick and easy installation of cables or complete cable harnesses.

SUB-D9 locknuts are available for installation of SUB-D9 connectors - minimal space for maximum effectiveness! Connectors with a max. width of 35.5mm and a height of 16mm can be installed utilizing a hole diameter of 36mm.

* Maximum cable diameter 15 mm
** For KVT 63 a locknut M63 (brass-nickel plated) is included in delivery.

Advantages

- Insertion of pre-terminated cables
- Warranty of pre-terminated cables remains
- Retrofitting and maintenance can be carried out easily and quickly
- High packing density, wide variety
- Suitable for standard or metric cut-outs

Specification

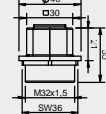
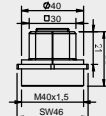

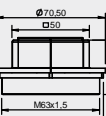



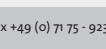
Material Polycarbonate
Colour similar RAL 7035
Flame class UL-94 Vo, self-extinguishing
Protection class IP 54, with gasket and correct selection of the cable inserts
Temperature -30°C to +100°C (static)
Properties halogen-free, silicone-free
Cut-out dimension metric standard sizes

Accessories

KT Cable inserts Page 22 | 26
Locknuts Page 95

KVT - SNAP
Split cable glands

Type	Order No.	Inserts KT small large	Thread Thread length	PU	Description
------	-----------	--------------------------	----------------------	----	-------------

KVT - SNAP 32	45130	1 -	M32 x 1.5 Length: 11 mm	10	
KVT - SNAP 40	45134	1 -	M40 x 1.5 Length: 11 mm	10	
KVT - SNAP 63 4*	45152	4 -	M63 x 1.5 Length: 11 mm	5	
KVT - SNAP 63 1*	45154	- 1	M63 x 1.5 Length: 11 mm	5	
KGM SUB-D9	45105	PC, grey	M32 x 1.5	10	
KGM 32	52275	PA, grey	M32 x 1.5	10	
KGM 40	52276	PA, grey	M40 x 1.5	10	
KGM 63	52278	PA, grey	M63 x 1.5	5	

Product description

KVT is a circular split frame for quick and easy installation of cables or complete cable harnesses.

Pre terminated cables can be routed through thick walls (> 5mm) e.g. into cast junction boxes by using the model KVT-SNAP, without the use of tools.

* For KVT 63 a locknut M63 (brass-nickel plated) is included in delivery.

Assembly

- SNAP ring is screwed into metric thread tapped into housing (or it can be fastened with a lock nut).
- Once the SNAP ring is affixed to the housing the KVT equipped with cables is simply pushed into the SNAP ring. Quick and easy installation!

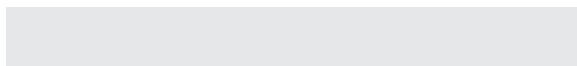
Specification

Material Polycarbonate
Colour similar RAL 7035
Flame class UL-94 Vo, self-extinguishing
Protection class IP 54, with gasket and correct selection of the cable inserts
Temperature -30°C to +100°C (static)
Properties halogen-free, silicone-free
Cut-out dimension metric standard cut-outs

Accessories

KT Cable inserts Page 22 | 26
Locknuts Page 95

KVT - W90 Split cable glands



1

Product description

The split KVT-W90 cable glands are used to insert and seal pre-terminated cables and conduits at a 90° angle. In particular, the KVT 50-W90 is perfectly suited to hold corrugated or smooth hoses. A large number of cable entry inserts is available to the user.

Advantages

- Installation at an angle of 90° to the cabinet
- Insertion of pre-terminated cables and conduits
- Warranty of pre-terminated cables remains
- Suitable for standard or metric cut-outs



Specification

Material	Polycarbonate
Flame class	UL-94 V0, self-extinguishing
Protection class	IP 54, with gasket and correct selection of the cable inserts
Temperature	-30°C to +100°C (static)
Properties	halogen-free, silicone-free
Colour	similar RAL 7035

Accessories

KT Cable inserts
WST Conduit, split
Locknuts

Page 22 | 26
Page 19
Page 95

Type	Order No. without locknut	Order No. with locknut	Inserts KT small large	Thread Thread length	PU
KVT 32 - W90	45400	45404	1 -	M32 x 1.5 Length: 11,5 mm	10
	Split locknut M32	31120 (without KVT)	-	-	10
KVT 50 4 - W90	45420	45424	4 -	M50 x 1.5 Length: 11,5 mm	5
KVT 50 1 - W90	45410	45414	- 1	M50 x 1.5 Length: 11,5 mm	5
	Split locknut M50	31140 (without KVT)	-	-	10