

Photoelectrics Through-beam for Separate Amplifier Types MOFT, MOFR

CARLO GAVAZZI



- Built-in lens: 2°, 5° or 8°
- Range: 5 m, 20 m or 50 m
- Modulated infrared light
- High immunity to ambient light
- For amplifier series S142. and S143.
- Degree of protection IP 66/IP 67
- For harsh environment
- High penetration power
- 15 m shielded PVC cable
- Ø 10 mm polycarbonate housing or M12 or M14 stainless steel



Product Description

Small through beam photoelectric switch. Range up to 50 m. 3 beam angles. Waterproof, for dirty environment, i.e. water, dust, steam etc. To be used with ampli-

fiers series S142. - S143. 15 m shielded cable, PVC. Ø 10 x 42 mm polycarbonate or M12 or M14 stainless steel housing. Straight optical axis.

Ordering Key

MOF T 20-M12-2

Type _____
 Emitter _____
 Range _____
 Housing diameter _____
 Optical angle _____

Type Selection

Housing diameter	Rated operating dist. (S _n)	Optical angle	Ordering no.: Emitter	Ordering no.: Receiver
Ø 10 mm	5 m	2°	MOFT 5	MOFR
	20 m	2°	MOFT 20	
	20 m	5°	MOFT 20-5	MOFR-5
	20 m	8°	MOFT 20-8	MOFR-8
	50 m	2°	MOFT 50	
M12	5 m	2°	MOFT 5-M12-2	MOFR-M12-2
	5 m	5°		MOFR-M12-5
	5 m	8°		MOFR-M12-8
	20 m	2°	MOFT 20-M12-2	
	20 m	5°	MOFT 20-M12-5	
	20 m	8°	MOFT 20-M12-8	
M14	50 m	2°	MOFT 50-M12-2	
	20 m	8°	MOFT 20-M14-8	MOFR-M14-8

Specifications Emitter

Rated operational volt. (U _e)	3 V, (square wave) supplied by amplifier
Supply current (I _o)	MOFT 5 ≤ 10 mA MOFT 20 ≤ 15 mA MOFT 20-5 ≤ 50 mA MOFT 20-8 ≤ 50 mA MOFT 50 ≤ 50 mA
Light source	GaAlAs LED, 880 nm
Light type	Infrared, modulated
Optical angle	±2°, ±5°, ±8°
Indications	On amplifier
Protection	Short-circuit, reverse polarity

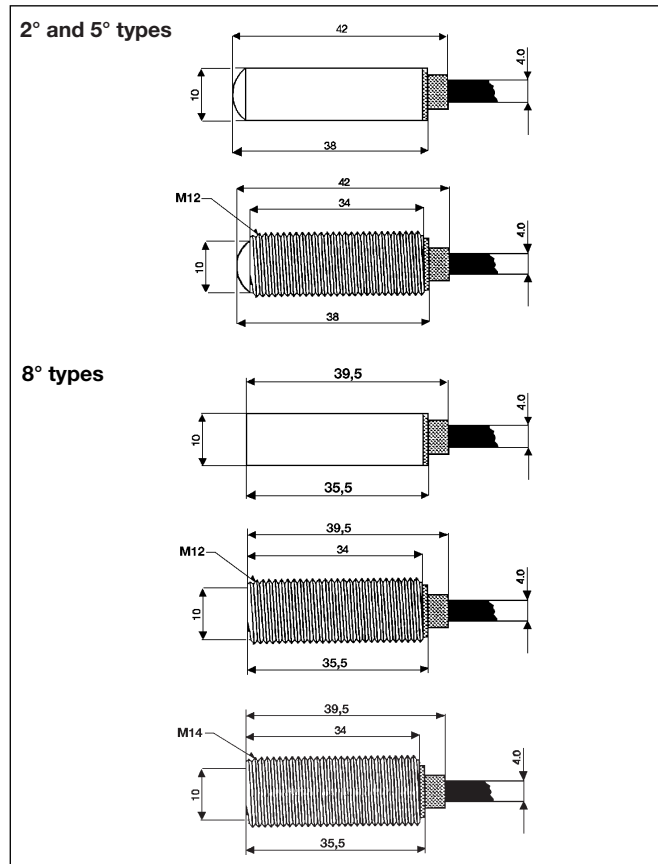
Specifications Receiver

Rated operational volt. (U _e)	8 VDC supplied by amplifier R _{source} 470Ω
Supply current (I _o)	≤ 11 mA
Sensitivity	Adjustable on amplifier
Optical angle	±2°, ±5°, ±8°
Ambient light	10,000 lux (sensitivity ±5%) Note: The actual range will be within ±5% of the set range at an ambient light of 10,000 lux
Operating frequency (f)	See amplifier data
Response time (t _{OFF} & t _{ON})	See amplifier data
Power ON delay (t _v)	See amplifier data
Indications	On amplifier
Protection	Short-circuit, reverse polarity

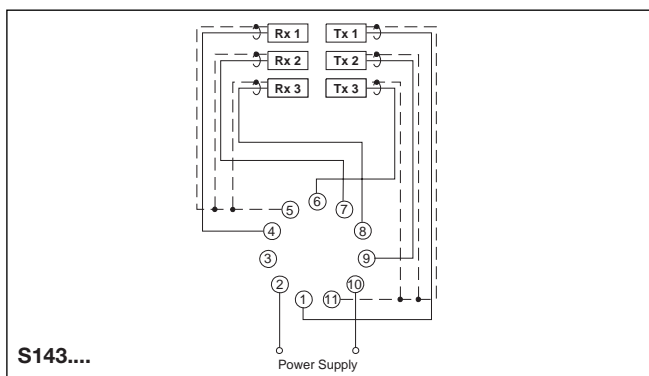
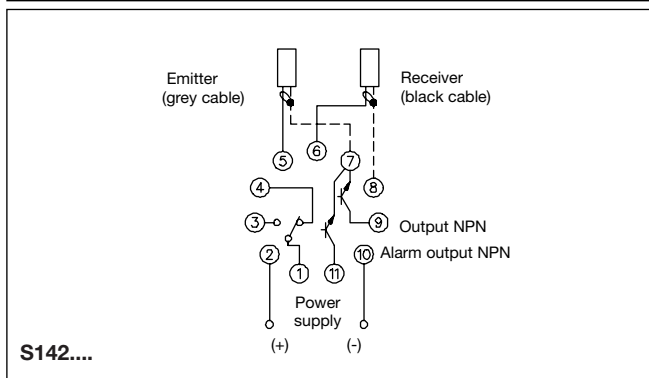
General Specifications

Environment	
Overvoltage category	III (IEC 60664/60664A; 60947-1)
Pollution degree	3 (IEC 60664/60664A; 60947-1)
Degree of protection	IP 66/IP 67 (IEC 60529; 60947-1)
Temperature	
Operating	-20° to +60°C (-4° to +140°F)
Storage	-40° to +80°C (-40° to +176°F)
Vibration	10 to 150 Hz, 0.5 mm/7.5 g (IEC 60068-2-6)
Shock	2 x 1 m & 100 x 0.5 m (IEC 60068-2-6)
Dielectric voltage	500 VAC (rms)
Housing material	Polycarbonate, black
Connection cable	
Emitter	Grey, 15 m oilproof PVC, Ø 4 mm, 1 x 0.25 mm ² , shielded
Receiver	Black, 15 m oilproof PVC, Ø 4 mm, 1 x 0.25 mm ² , shielded
Weight (cable incl.)	347 g emitter 347 g receiver
CE-marking	Yes

Dimensions



Wiring Diagrams



Delivery Contents

- MOFT.. and MOFR
- All M12-types: 2 pcs. M12 nuts
- All M14-types: 2 pcs. M14 nuts
- **Packaging:** Plastic bag, emitter and receiver packed separately