

ECHO™

MELT PRESSURE SENSORS



Trusted for quality, reliability
and accurate performance at
an affordable price.

SENSORS

INCORPORATED

507 Kelsey Street • Delano, MN 55328
Phone 763-972-1040 Fax 763-972-1041
Toll Free 888-920-0939
Sensorsincorporated.com

Features

- 2 year warranty and 60 years of Dynisco industry experience
- Accuracy better than $\pm 0.5\%$
- TiAlN diaphragm coating is standard
- mV/V, 0-10VDC, or mA outputs available
- Integral temperature sensor option
- Available in configurations that fit most extruder applications
- 1.5M, 3M, 5M, 7.5M & 10M psi pressure range capability

Description

The Echo™ Series of melt pressure sensors offer quality performance and value for plastic processing utilizing standard configurations and pressure ranges. Echo sensors are designed to meet customer requirements by providing a combination of economic value and performance for general extrusion applications while providing a $\pm 0.2\%$ repeatability when measuring process pressures. Use Echo Series sensors when the application requires a quality measurement for optimized control, but not the costs of all the extra features.

Dynisco has produced field-proven pressure sensors for more than 60 years. Echo was designed with the best engineering practices and is backed by Dynisco with a two full years of warranty – double the protection of comparably-priced sensors.

Echo sensor diaphragms are coated with Titanium Aluminum Nitride, as a standard offering, providing superior performance over less effective Titanium Nitride coatings.

Dynisco technology is widely accepted by OEM's and end users throughout the world. The Echo Series sensors are available with 3.33mV/V, 4-20mA, 0-5VDC or 0-10VDC outputs designed to work with most industrial controls. In addition to melt pressure measurement, Echo Series offer a optional melt temperature measurement with type J, K thermocouples or RTD. The Echo Series are equipped with a 1/2-20 UNF or M18 thread for installation in standard transducer mounting holes. Additional mounting configurations are available.



www.dynisco.com

Dynisco
38 Forge Parkway
Franklin, MA 02038
USA

Hotline 1-800-Dynisco
www.dynisco.com
Phone +1-508-541-9400
Fax +1-508-541-6206
Email infoinst@dynisco.com

Dynisco Europe, GmbH
Pfaffenstr. 21
74078 Heilbronn
Germany

Phone +49-7131-297-0
Fax +49-7131-297-166
Email dyniscoeurope@dynisco.com

Dynisco (DVI)
Lot 3615, Jalan SM 6/8, Kawasan Perindustrian
32040 Seri Manjung, Perak, Malaysia
Email infoinst@dynisco.com

Specifications

PERFORMANCE CHARACTERISTICS

Input excitation:	mV/V: 10VDC recommended, 12VDC max VDC: 16-30VDC mA: 14-30VDC
Output, Analog:	3.33mV/V, 0-10VDC, or 4-20mA
Accuracy*:	±0.5% FS
Repeatability:	±0.2% FSO
Electronics Operating Temperature, max:	mV/V:250°F(120°C);mA,VDC:185°F(85°C)
Overload Pressure Rating:	1.5 x FSO
Pressure Ranges (psi):	1.5M, 3M, 5M, 7.5M or 10M
Pressure Units:	PSI, Bar, Kg/cm ² , or MPa
Zero Balance Adjustment (±% FS):	mV/V: na; VDC: +15%; mA: ±20%
Zero Balance Setting (±% FS):	mV/V: ±10%; VDC, mA: ±0.5%
Bridge Resistance:	mV/V: 345Ω, min
Insulation Resistance:	mV/V: 1000 MΩ @50VDC; VDC, mA: 100 MΩ @50VDC,
Internal Shunt Calibration (R-Cal):	80% FSO ±1.0% FSO

* Accuracy is defined as the combined error expressed as a percentage of full scale output. Combined error includes linearity (BSL), as defined in ISA-S37.1.

MECHANICAL & PACKAGING CHARACTERISTICS

Sensor Technology:	4-arm bonded foil strain gage Wheatstone bridge
Diaphragm Temperature:	662° F (350°C) for Rigid 752° F (400°C) for Flex
Zero Shift (process temp change):	25 psi/100°F (45psi/100°C), nominal
Diaphragm Wetted Parts:	17-4 PH SST
Electrical Connection:	6 pin or Hirschmann
Process Connection:	1/2-20 UNF thread (45° conical seal) M14, M18, M22
Mounting Torque:	500 in/lbs, max
Temperature Sensor (optional):	J or K-type thermocouple with 3 inch flex, PT100 RTD

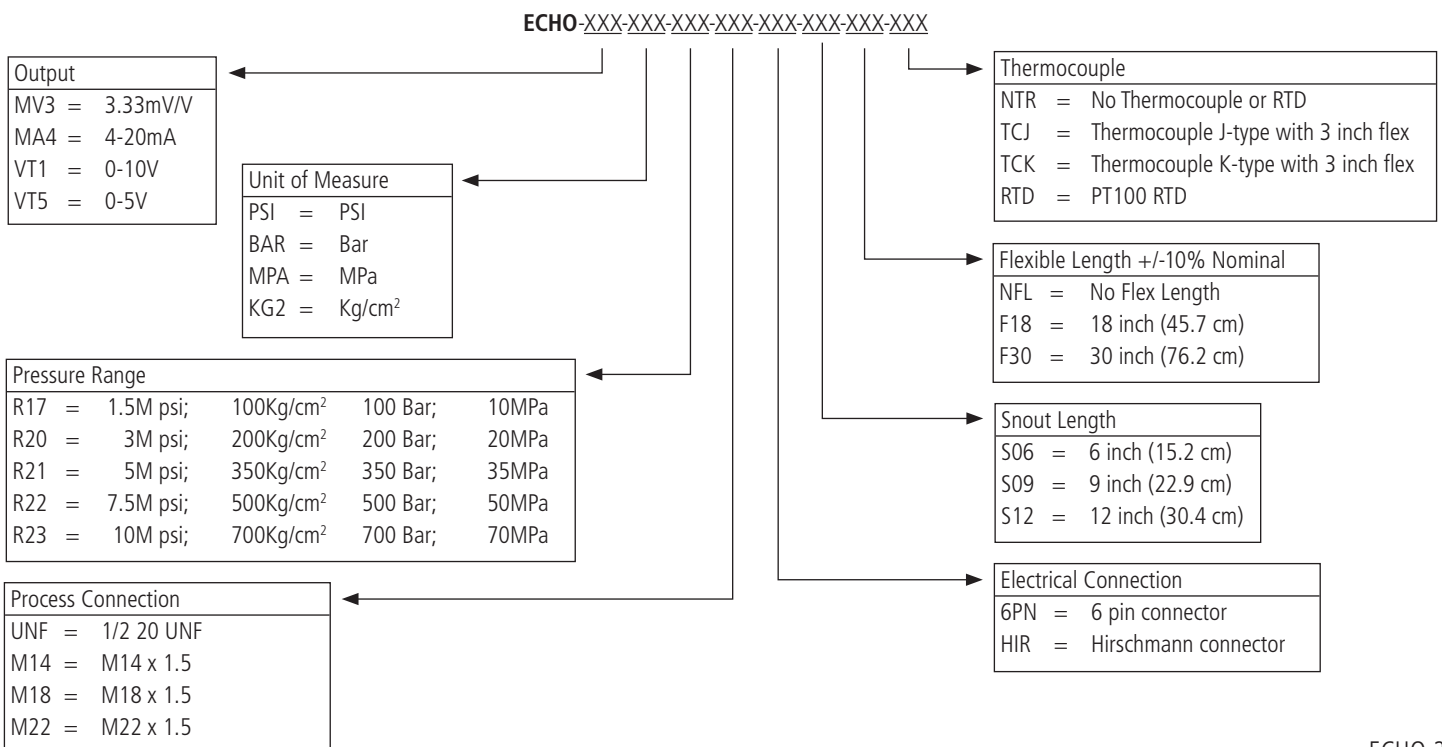
APPROVALS & CERTIFICATIONS

Marks, Certifications, Registrations: CE

RECOMMENDED ACCESSORIES

Mounting Hole Machining Tool Kit:	Part Number 200925
6-pin Bendix Mating Connector:	Part Number 711600
Mounting Bracket (Electronics):	Part Number 200941
Cable Assemblies, Indicators, Controllers:	Consult distributor or Dynisco
Replacement Thermocouples:	
K Type 6" Snout	Item Number HY001715
J Type 6" Snout	Item Number HY001722
J Type 9" Snout	Item Number HY001723
J Type 12" Snout	Item Number HY001724
PT100 RTD 6" Snout	Item Number HY001726

Ordering Guide



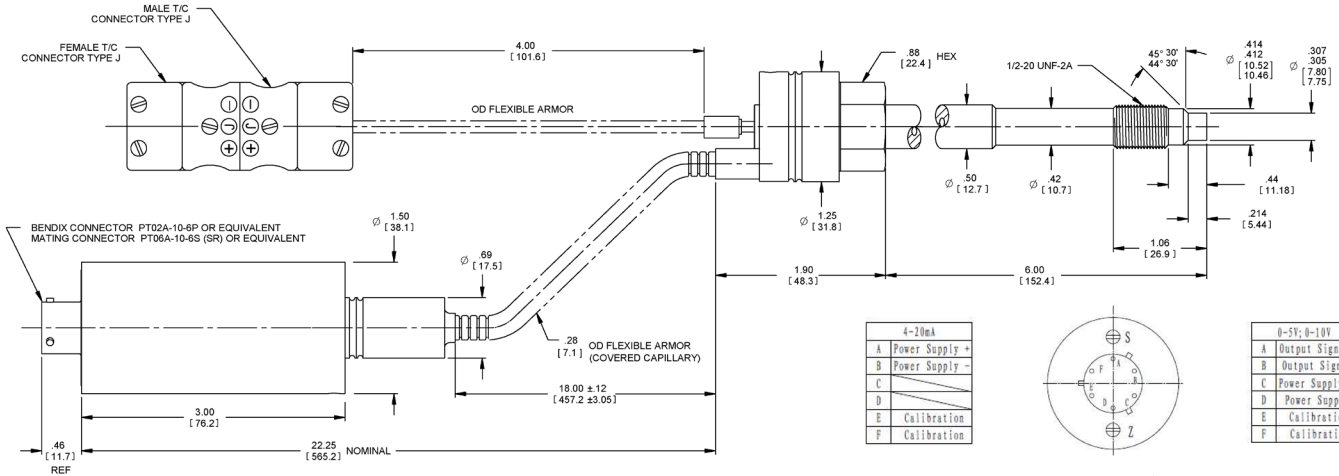
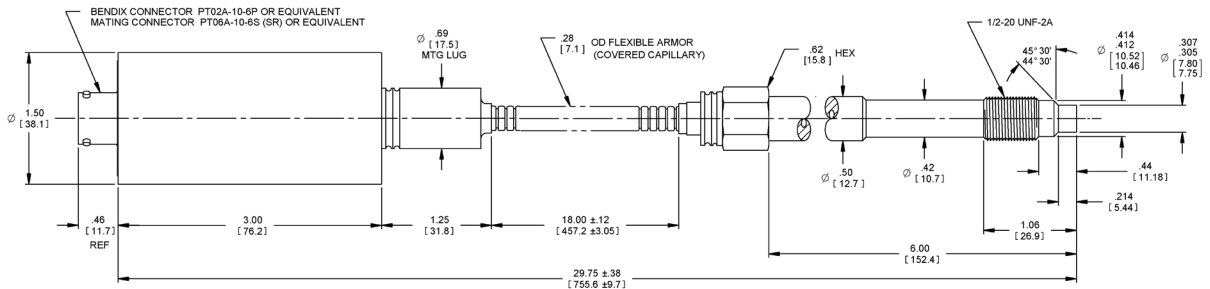
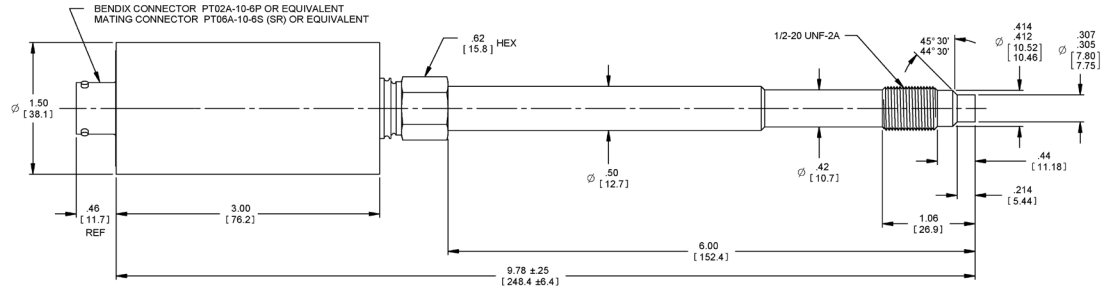
Dimensions

mV/V

CONNECTOR WIRING	
PIN	FUNCTION
A	SIGNAL +
B	SIGNAL -
C	EXCITATION +
D	EXCITATION -
E	INTERNAL CAL RESISTOR
F	INTERNAL CAL RESISTOR

NOTES
1. DIMENSIONS ARE IN INCHES [MILLIMETERS]

CONFIGURATION WITH 6 INCH SNOOUT LENGTH AND 18 INCH FLEXIBLE LENGTH



ELECTRONICS SHELL ON mA VERSION IS $\varnothing 1.50 [38.1] \times 3.75 [95.2]$ LONG.

All dimensions are inches (mm) unless otherwise specified.

©2013. Dynisco reserves the right to make changes without notice. This product is manufactured in Malaysia. Refer to www.Dynisco.com for access to Instruction Manual and other support documentation.